



# air



Radically different. Unbelievably beautiful. For the first time, a piece of media furniture takes up the filigree design language of modern TVs and extends it into the room. The centerpiece is the floating Airboard: a puristic one piece steel element that does not show its diverse functions. The soundbar is not hidden, but optically integrated.

Made in Germany.

# Air System

## Air

### **Air is a purist system furniture for individual media lowboards.**

Characteristic is the Airboard, which can accommodate soundbars of all brands. Due to the free integration, modern Atmos soundbars can radiate in all directions and develop the optimal sound. It can also accommodate the magnetic smartphone charging cradle (Smart Charge).

The Airboard can be combined with lowboards on the left and right. All elements are mounted on the wall.

Above the Airboard, the TV is mounted with the included universal wall mount. The position can be chosen horizontally as desired, so an asymmetrical arrangement is also possible. The elegant cable cover invisibly guides the cables from the TV under the Airboard.

Air, like all furniture from Spectral, is manufactured in Pleidelsheim in southern Germany.

## Design

Air consists of two base elements.

**Airboard.** Curved steel sheet element with substructure, powder coated.

**Lowboard.** Box elements with flap or drawer. Surface in colour glass or metallic glass.

## System & grid

**Airboard:** 160, 200 cm

**Lowboard:** 60, 120 cm

## Tailor-made options

Air elements are only available in the grid dimensions.

## Cabinet

**Airboard:** Sturdy sheet steel construction, powder coated.

**Lowboard:** Solid box construction, doweled and glued, for maximum stability.

The cabinet surface Sand is black fine-textured, exceptionally robust and easy to clean.

## Top plates

Glass top plates and side panels are included with each lowboard element.

## Mechanics & function

Damped hinges, flap dampers, drawer mechanism with push-to-open and soft-close, of the highest quality.

## Installation types

All elements are mounted on the wall.

## Lighting

Indirect LED lighting on the rear edge of the furniture. The LED lighting is dimmable and can be operated by remote control or app. The light colour is warm white (3200 Kelvin).

## Wireless Charging

All current smartphones with Qi standard can be charged wirelessly with the Charge Bar. The Charge Bar is made of solid wood, in which the charging element is invisibly integrated. Magnets are integrated into the solid wood, this elegantly connects the Charge Bar to the Airboard.

## Cable management

The substructure of the Airboard with Cable Box accommodates all cables and the power strip. After wiring, the Airboard is placed on top and hides all cables. The elegant cable cover invisibly guides the cables from the TV under the Airboard. Air is mounted at a height of about 40 cm, directly above a power outlet. This makes it easy and elegant to mount. The socket is hidden by the Airboard.

## Surfaces

**Airboard.** High quality and durable powder coating in three matt colours: champagne, snow and black. The substructure is always black.

**Lowboard in colour glass.** Colour glass consists of a 4 mm safety glass plate. The paint finish is applied to the underside. The glass surface is very hard, scratch resistant and easy to clean. There are 5 base colours to choose from as well as over 2,000 custom colours. This can be selected from the NCS or Sikkens 5051 colour chart (most RAL colours are available on request). The glass surface can be selected glossy or satin (matt).

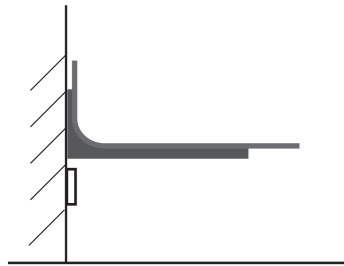
**Lowboard in metallic glass.** Metallic glass has the same properties as colour glass and is available in 6 chic metallic colours. The glass surface can be selected glossy or satin (matt).

**Acoustic fabric flaps.** Flaps can also be selected with acoustic fabric.

# 1. Airboard for all TVs

**Airboards** serve as base elements for TV, all kinds of soundbars, media player and wireless charging station for smartphones. The TV position can be chosen horizontally. The TV mounting on the wall is done by means of flat or retractable TV bracket. Airboards are only available wall mounted. Including sliding TV cable cover, cable box, TV wall mount SPMMAXI and adjustable wall mount.

**Options** and accessories, see sections 3 and 4.



Wall mounted.  
Recommended height approx. 40 cm,  
directly above the socket

### Options and accessories at a glance

Wall distance	3,0 cm
Shelf	•
Cable Box (1x inklusive)	•
Charge Bar	•
Smart Light	•

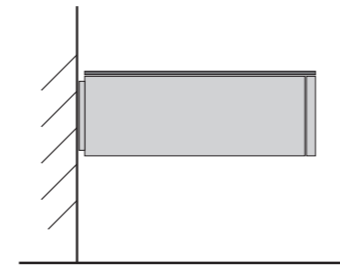
Image	Article	Internal dimensions (cm)		
		Width	Height	Depth
	<b>ARL1600</b>	160,0	15,0	48,0 *
	<b>ARL2000</b>	200,0	15,0	48,0 *

\* Incl. 3,0 cm wall distance

# 2. Lowboards with storage

**Lowboard** elements for horizontal extension of an Airboard. Left or right. Available with flap, fabric flap or drawer for storage space or to accommodate equipment. Air lowboards are available wall mounted only. Includes adjustable wall mounting.

**Options** and accessories, see sections 3 and 4.



Wall mounted.  
Recommended height approx. 40 cm

### Options and accessories at a glance

Wall distance	3,0 cm
Flap	•
Fabric flap	•
Drawer	•
Smart Charge	•
Smart Light	•

Image	Article	Function	Internal dimensions (cm)					
			Width	Height	Depth			
	<b>ARE600</b>	a = KL a = SL	60,0	15,0	48,0 *	55,2	10,7	37,8
	<b>ARE1200</b>	a = KL a = SL	120,0	15,0	48,0 *	56,6	10,7	37,8
						52,5	6,6	27,4

\* Incl. 3,0 cm wall distance

### 3. Options and accessories

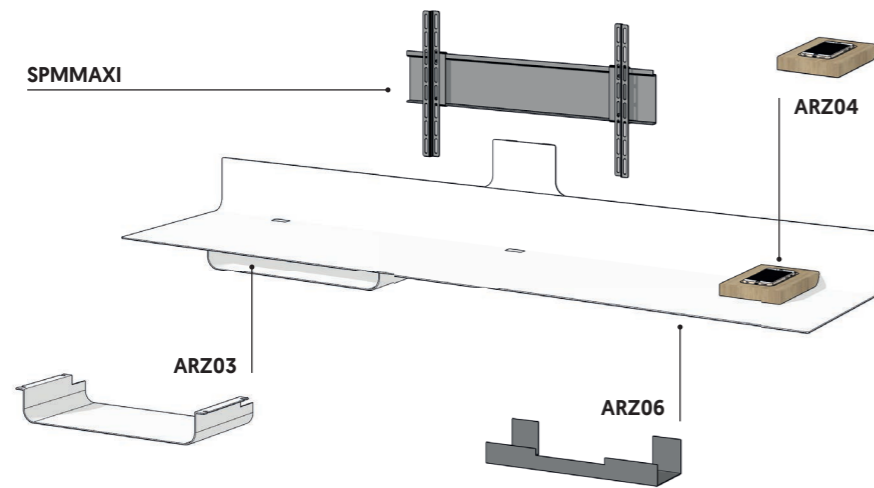


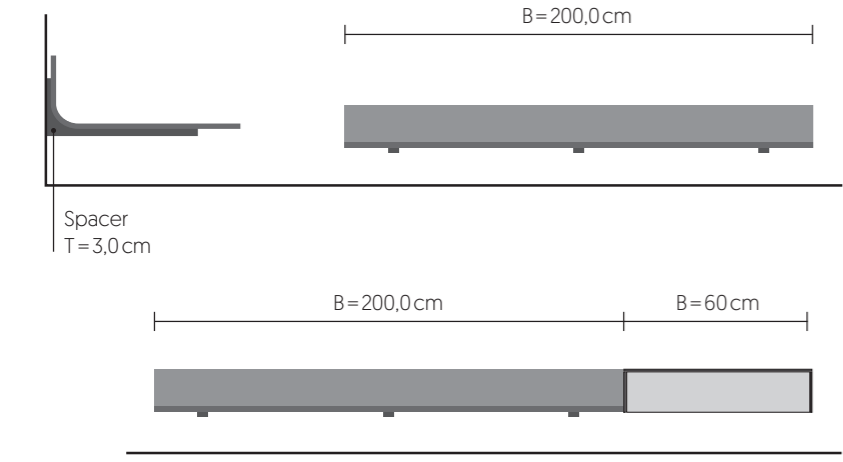
Image	Article	Function
	<b>Standard</b>	<b>TV mount SPMAXI (incl.)</b>
	<b>Option</b>	<b>TV mount JM600CSV2</b>
	<b>ARZ03</b>	<b>Shelf</b> for ARL1600/ARL2000 Available in black, champagne or snow Dimensions w x h x d: 50,0 x 6,0/8,0 x 28,0 cm Max. two pieces available
	<b>ARZ06</b>	<b>Cable Box</b> [1x incl.] for ARL1600/ARL2000 To house cabling and powerbar under the Airboard Colour: black Max. two pieces available
	<b>ARZ04</b>	<b>Charge Bar</b> for ARL1600/ARL2000 Wireless charging module is available in two wood finishes: sand oak and black oak Dimensions w x h x d: 24,0 x 3,0 x 16,0 cm Max. dimensions smartphone: 16,0 x 8,0 cm
	<b>Option</b>	<b>Fabric flap</b> for ARE600/ARE1200 Covered with acoustic fabric, available in black, carbon, pebble, grey, graphite or silver

### 3. Options and accessories

Image	Article	Function
	<b>Option</b>	<b>Drawer (SL)</b> instead of flap for ARE600 <b>Drawer (SL)</b> instead of flap for ARE1200
	<b>ZU1933</b>	<b>Smart charge kit</b> for ARE600/ARE1200 The Smart Charge wireless charging technology uses the common Qi standard of the Wireless Power Consortium, to which all major mobile device manufacturers adhere to.
	<b>ZU1864</b>	<b>IR link system</b> For control of audio and video equipment when furniture flap is closed.
	<b>ZU1871</b>	<b>Flat europlug</b> Flat europlug 1,5 m cable, Schuko connections [not available in the UK]
		<b>Spectral spray</b> A gentle foam cleaner for LED, LCD, plasma and computer screens. Also suitable for glass, metal and painted surfaces. With an anti-static microfiber cloth for swift, streak-free cleaning. Contains 300 ml.

# 4. Smart Light

Image	Article	Function
	<b>LED-AR</b>	<b>Indirect LED lighting</b> <span style="float: right;">Price per 1cm</span> Lighting along rear edge of furniture (at the top). Light colour warm white, approx. 3200 Kelvin
	<b>LED-AN2</b>	Connection kit <b>LED-AN2</b> For operation by remote control or smartphone app with dimming function.



**Example pricing: ARL2000**  
The price is based on the furniture dimensions:

$$200,0\text{cm} \times \text{€} / \text{cm}$$

**Example pricing: ARL2000 + ARE600**  
The price is based on the furniture dimensions:

$$200,0\text{cm} + 60,0\text{cm} = 260,0\text{cm} \times \text{€} / \text{cm}$$



<b>ZU1873</b>	<b>Interior lighting</b> LED light with motion sensor
<b>ZU1874</b>	<b>USB charger</b> For interior lighting

# 5. Load

## Wall mounted Airboards

	Max. total load (in kg)
<b>ARL1600/ARL2000</b>	30

## Wall mounted lowboards

	Max. total load (in kg)	Max. load top plate (in kg)
<b>ARE600/ARE1200</b>	40	40

## Drawer

	Max. load for each drawer compartment (in kg)
<b>SL</b>	20

## TV mount

	Max. load (in kg)
<b>SPMMAXI</b>	80
<b>JM600CSV2</b>	45,5

# 6. Air colours & surfaces

## Airboards

### Metal surfaces – matt powder coated



SNG Snow      CHA Champagne      BG Black

## Charge Bar

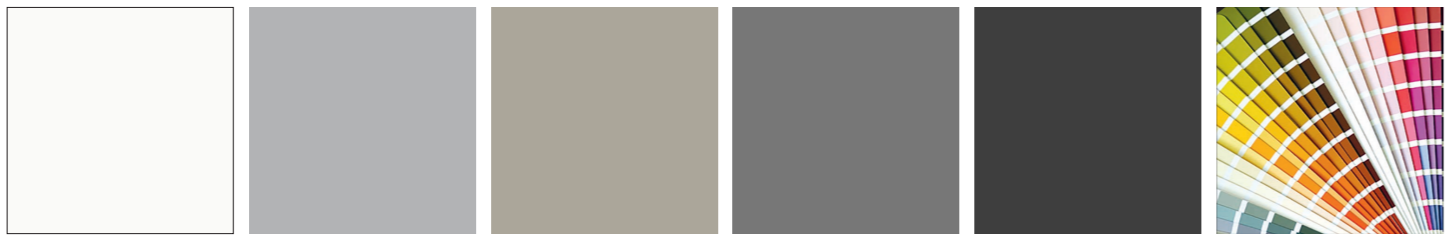
### Solid wood – matt varnished



SA Sand Oak      BO Black Oak

## Lowboards

### Colour glass – glossy or satin



SNG Snow      GR Grey      PE Pebble      GN Granite      BG Black      NCS®/Sikkens 5051

### Metallic glass – glossy or satin



SV Silver      IR Iron      SGR Slate Grey      CHA Champagne      BZ Bronze      RO Roast

## Acoustic fabric flaps



SF Silver      GRF Grey      GF Graphite      PF Pebble      CF Carbon      BF Black

**Note on glass surfaces:**  
 Glass is a product made from natural raw materials and is subject to variations in production technology. Depending on the inherent colour of the glass, glass thickness and lighting conditions, there may be colour differences between different glass surfaces.  
 Likewise, there may be deviations between glass samples in the specialized trade and the finished furniture. In the case of subsequent deliveries of glass surfaces, production- and batch-dependent colour differences are possible and do not constitute grounds for complaint.

**Note on fabrics:**  
 Fabrics are subject to production variations. Therefore, there may be colour differences between different fabric-related components.  
 Likewise, there may be deviations between fabric samples in the specialist trade and the finished furniture. In the case of subsequent deliveries of fabric-related components, production- and batch-dependent colour differences are possible and do not constitute grounds for complaint.

**Note on solid wood:**  
 Wood is a natural product with differences in colour and texture. Each tree is different due to its individual life history.  
 It is therefore a characteristic and an unmistakable sign of authenticity of natural woods that slight differences in colour, structural features in the grain and characteristic growth features are recognizable in the material. Likewise, there may be variations between wood samples in the retail store and the finished furniture. These differences make your furniture unmistakably unique and do not constitute grounds for complaint.